

# BOWED WALKWAY PERGOLA

## ASSEMBLY INSTRUCTIONS

**STEP 7**  
Fix five of the longer brackets (x) to the Curved Beam (2) at Posts CD spaced equally as Step 6.

**STEP 8**  
Site the two remaining posts and curved beam at EF as Steps 3 and 4.

**STEP 9**  
Fix the remaining five 'U' Clips (w) to the Curved Beam (2) equally spaced as step 6

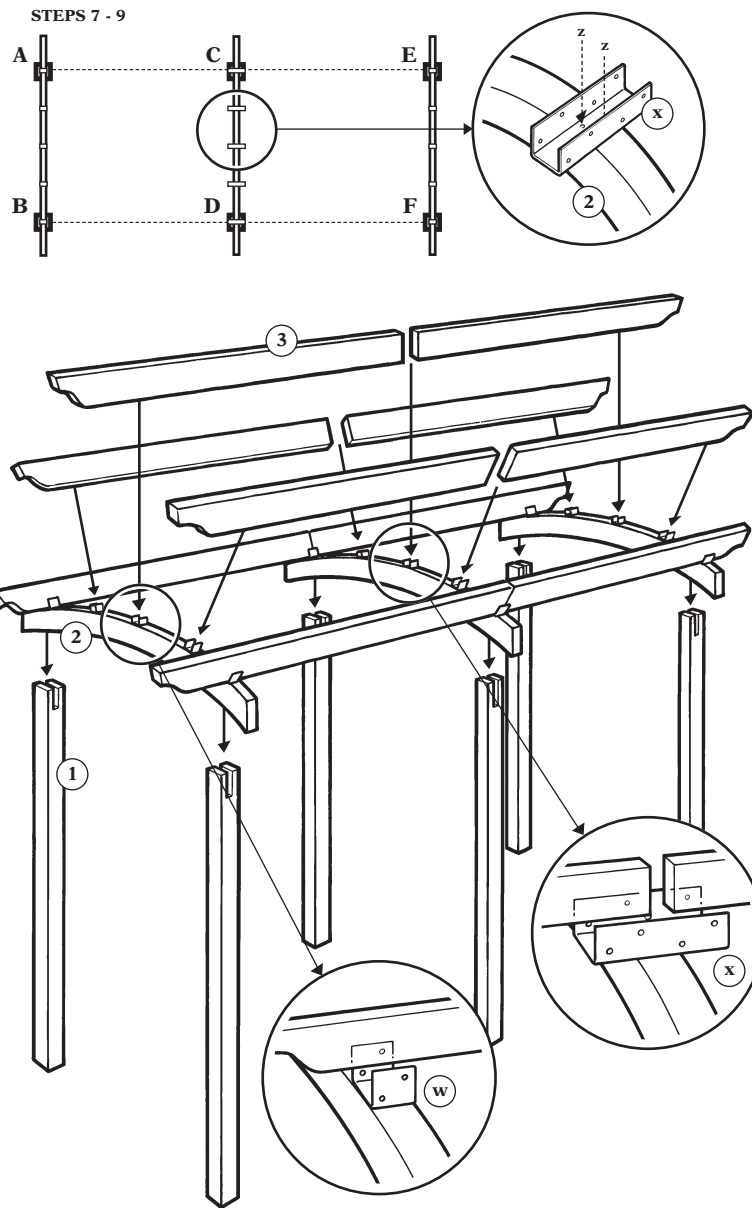
**STEP 10**  
Locate one of the Rafters (3) into the centre brackets at AB and CD. The straight end of the rafter should be fixed centrally in the longer bracket (x) at CD

**STEP 11**  
Locate a second rafter in line with the rafter just fitted, between CD and EF. Fix in place.

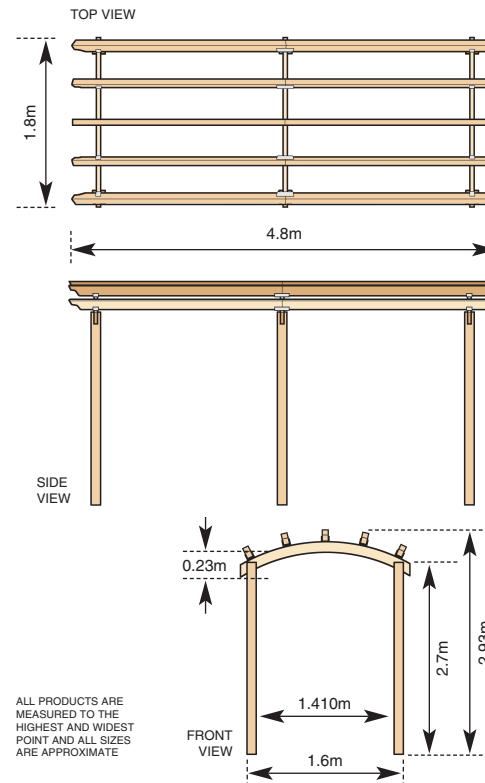
**STEP 12**  
Repeat Step 11 for the remaining rafters.

**NB.**  
The structure is designed to accept standard fence panels of 1.83m.

To allow 1.8m panels to be fitted the distance between the posts may be adjusted to suit.



### PLAN



ALL PRODUCTS ARE MEASURED TO THE HIGHEST AND WIDEST POINT AND ALL SIZES ARE APPROXIMATE



### AFTERCARE

To ensure longevity of your structure it is recommended that it is treated with a wood preservative on a yearly basis.



Grange Code: BWALK

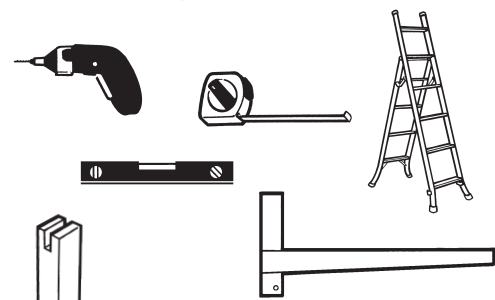


GRANGE FENCING LIMITED  
Halesfield 21, Telford TF7 4PA  
Tel: 01952 588088 Fax: 01952 581522  
Email: sales@grangefen.co.uk Web: www.grangefen.co.uk  
OUT OF HOURS MESSAGE SERVICE: 01952 588088

Thank you for choosing this garden structure from Grange Fencing Ltd. In order to gain the most benefit from it please read the following instructions carefully.

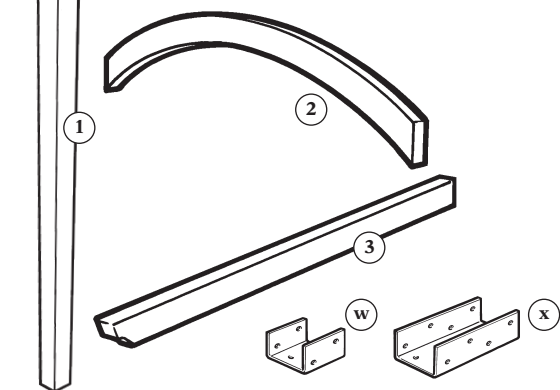
**TOOLS REQUIRED** (Not Supplied)

- POWER DRILL (+ crosshead screwdriver bit)
- SPIRIT LEVEL
- TAPE MEASURE
- STEPLADDER
- SQUARE



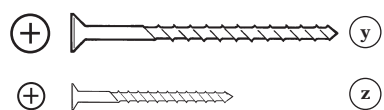
**PARTS LIST**

- |   |                       |    |
|---|-----------------------|----|
| ① | TIMBER POSTS          | 6  |
| ② | CURVED BEAMS          | 3  |
| ③ | RAFTERS               | 10 |
| w | METAL 'U' CLIPS       | 10 |
| x | METAL BRACKETS (LONG) | 5  |



**HARDWARE PACK**

- |   |                     |    |
|---|---------------------|----|
| y | SCREWS No.10 x3"    | 12 |
| z | SCREWS No.8 x 1.25" | 60 |



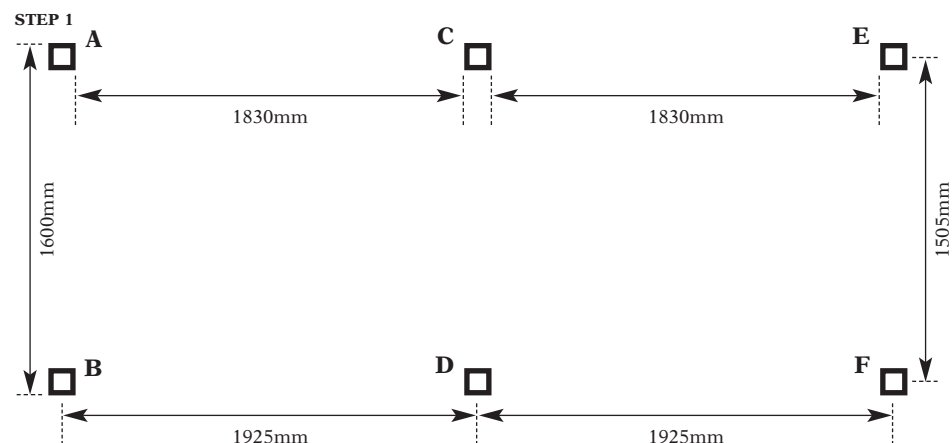
**BEFORE YOU START**

- Please ensure that you check all the component parts for quantity and quality before you commence building the product. Report any missing parts immediately. The manufacturer will not accept any responsibility for damaged items once any part of the product has been fitted or altered in any way.
- Timber is a natural material and will react to varying levels of moisture content - ie. will swell or shrink. All of the Timber components are pressure treated green. However, should extra protection be required, they should be treated using a wood preservative treatment, following the manufacturers instructions.

**HEALTH AND SAFETY**

Do not lean or stand on the roof assembly at any time - the structure is not of a load bearing design. Do not overstretch when working from the step ladder. In order to reduce the risk of suffocation please keep all plastic bags and small parts away from children.

- When you are ready to start, make sure you have the right tools to hand, plenty of space and a clean, dry area for assembly. **It is recommended that two people erect the structure.**

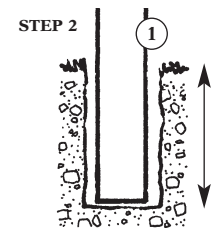


**BOWED WALKWAY PERGOLA PLAN**

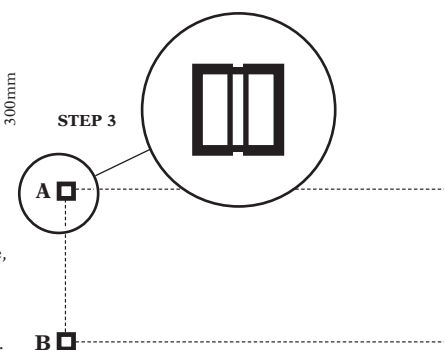
**ASSEMBLY INSTRUCTIONS**

**STEP 1**  
Using the layout shown above mark out the area where the structure is to be sited.

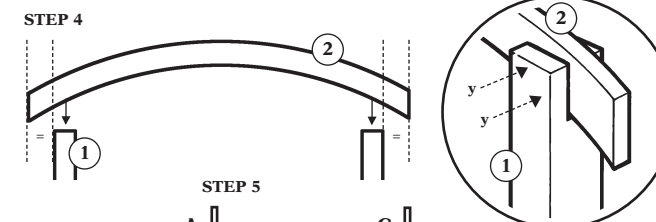
**STEP 2**  
Prepare the holes for the posts (1). Each hole should be a minimum of 300mm deep. Make sure the depths are the same to ensure the structure is level when all the posts are sited. Allow adequate room for the preferred method of fixing (ie. MetCrete - see note right).



We would recommend that you use **MetCrete**, fast set post fixing concrete to fix your posts. Easy to use, it sets in just 10 minutes.

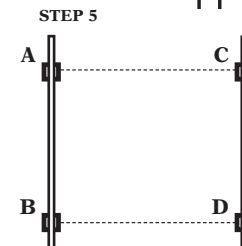


**STEP 4**  
Site posts **A** and **B** into the prepared holes. Ensure the correct orientation of the cutouts and that the posts are the same height and upright.



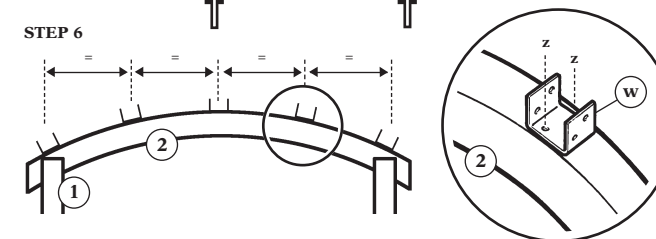
Note: Posts must be fixed before attempting to complete the build.

**STEP 5**  
Take one of the Curved Beams (2) and place it into the top of the posts. Make sure the overhang is equally spaced. Fix in place with two screws (y) in each post.



**STEP 6**  
Repeat steps 3 and 4 for posts **C** and **D**.

**STEP 6**  
Fix five of the 'U' Clips (w) to the Curved Beam (2) at posts **AB** at equally spaced intervals using screws (z).



(continued overleaf)